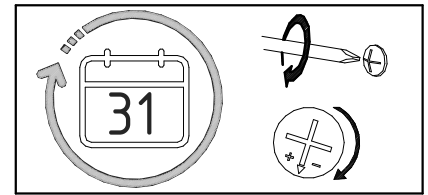
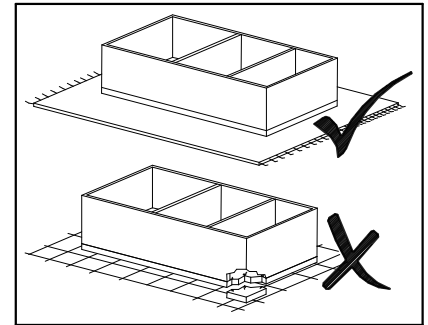
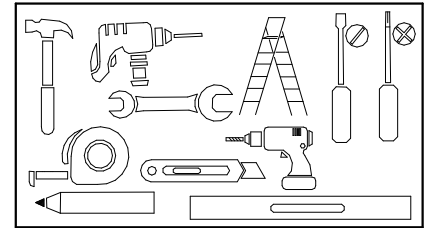
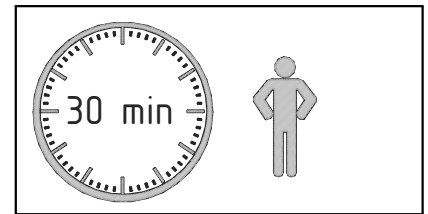
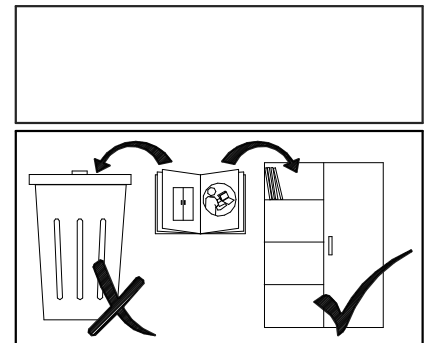
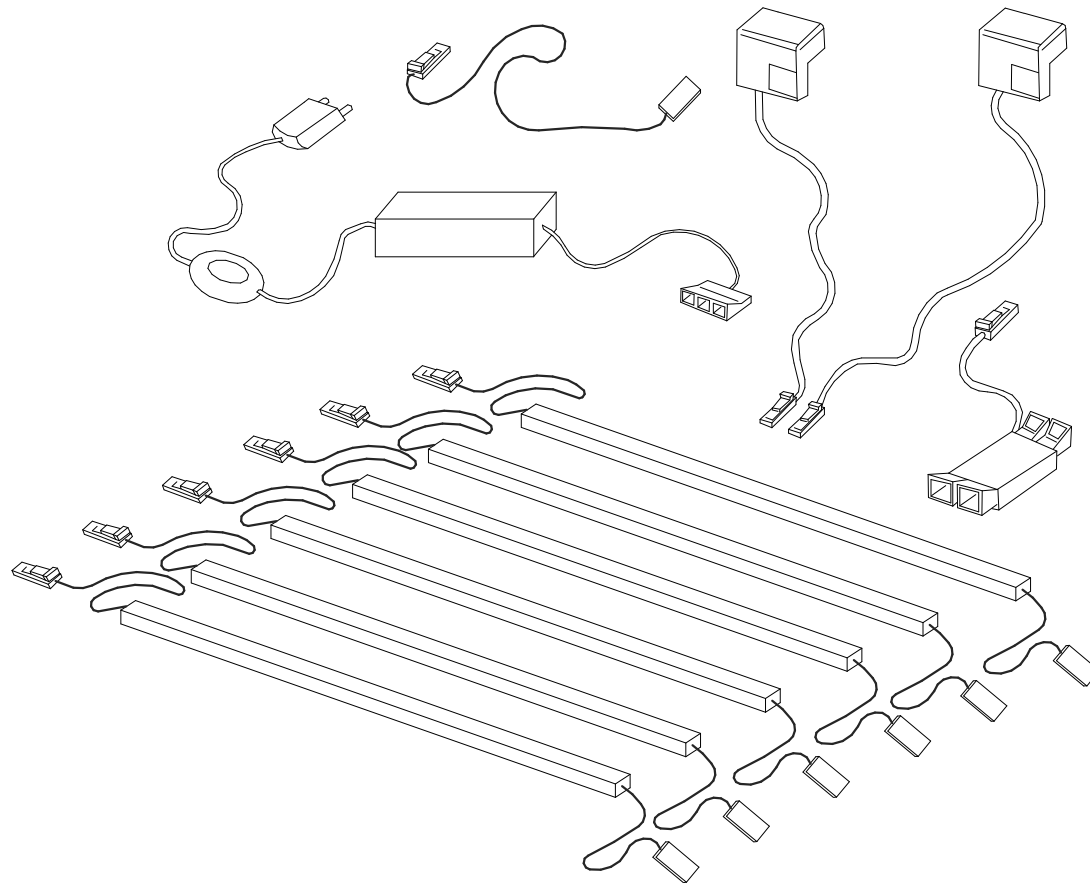
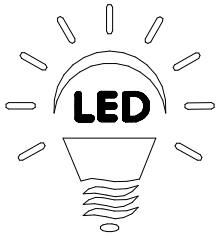
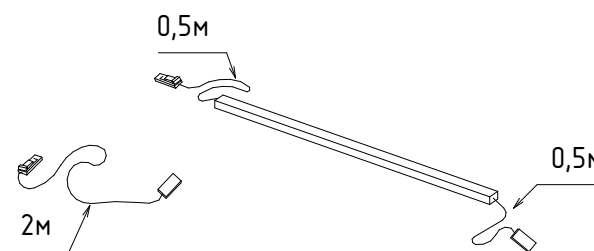
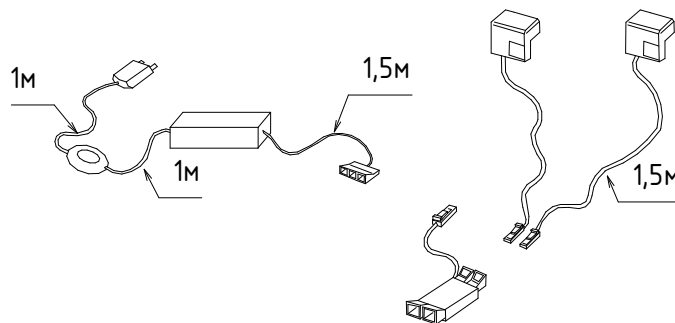
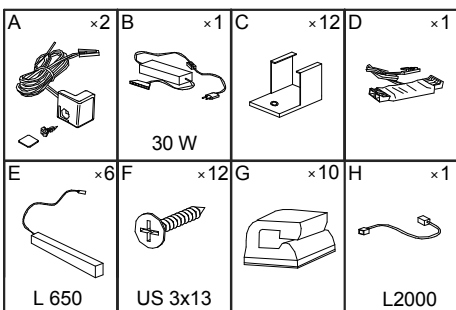


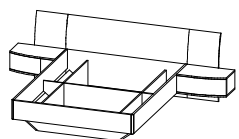
Art. 90.109



Art. 90.109

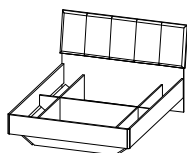


1



"TOKIO" 17.901
17.903

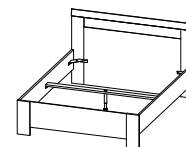
2



"TOSCANO" 32.914
32.916
32.918

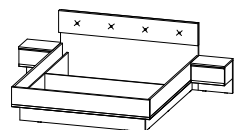
"BELLA" 06.913
06.911
06.914

3



"TOSCANO" 32.929
32.922
32.924
32.926
32.928

4

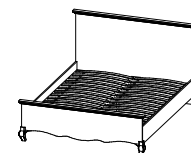


"LUCCA" 64.908
64.918

"MALTA" 30.903
30.904
30.905



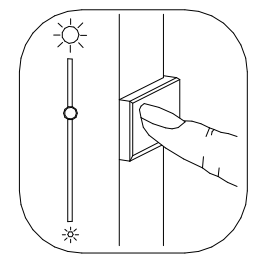
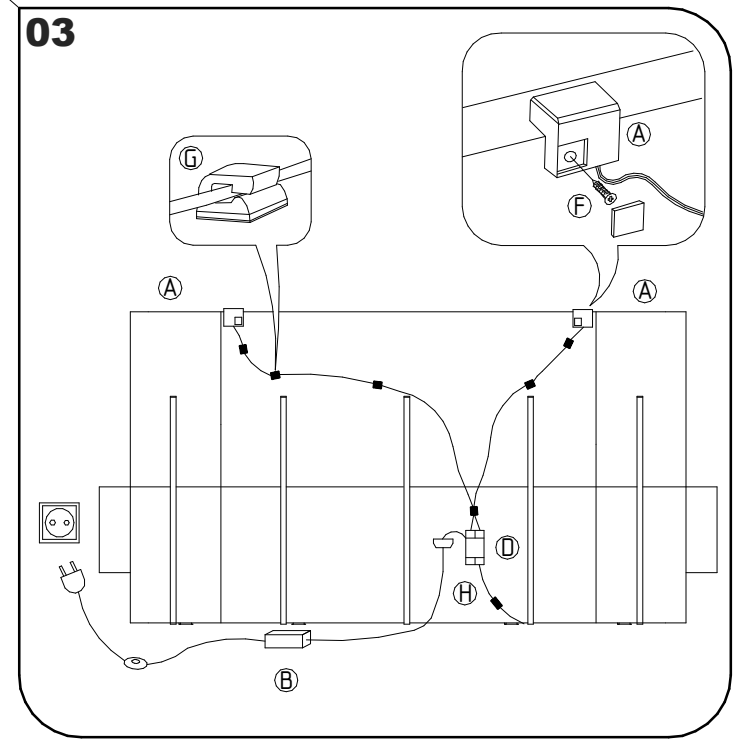
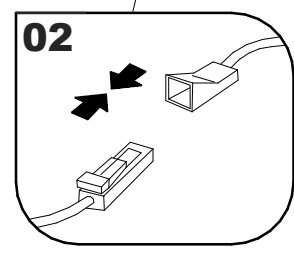
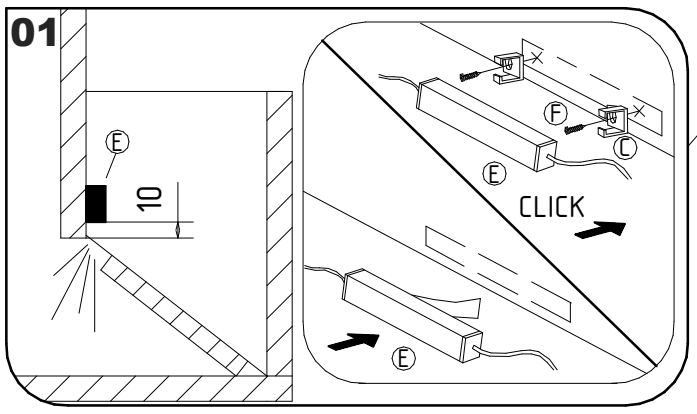
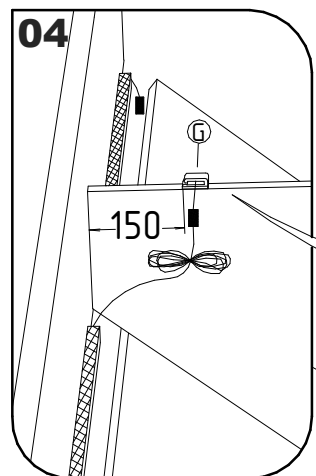
"MEDEA" 75.901



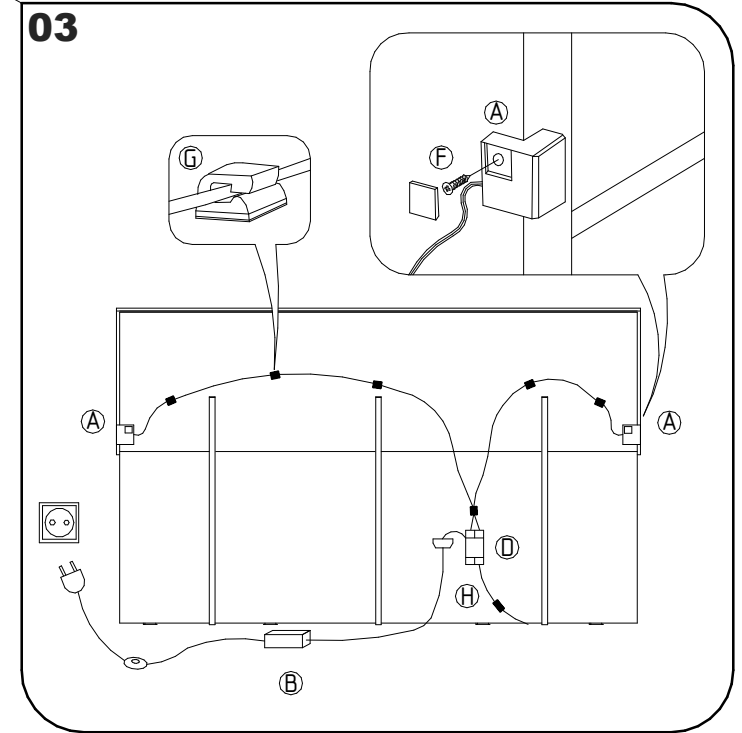
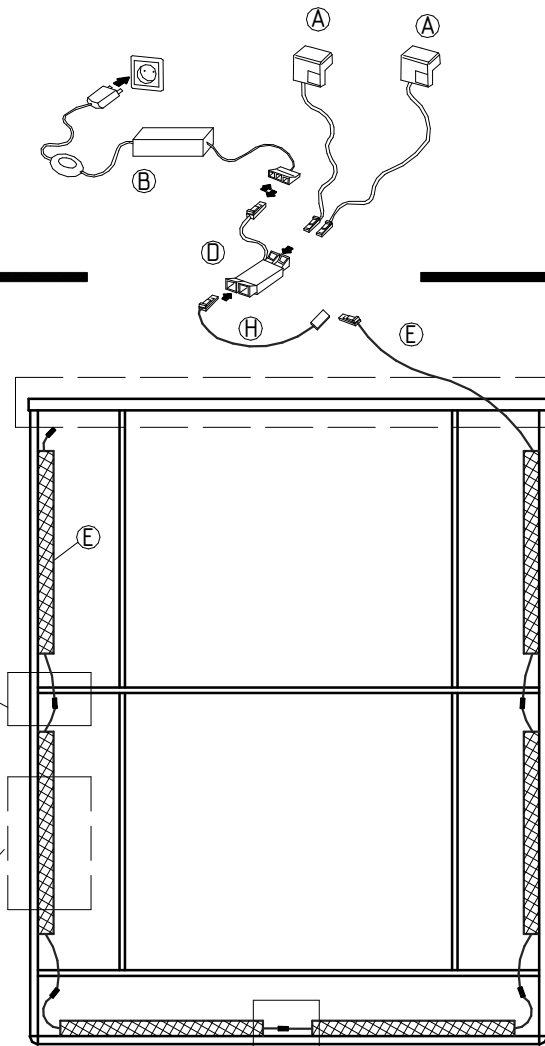
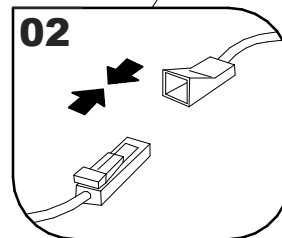
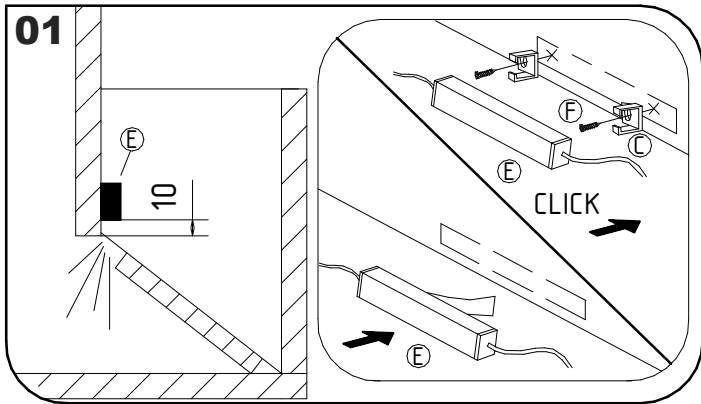
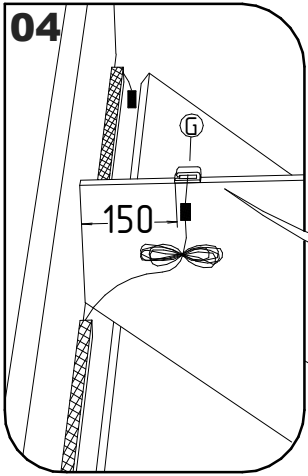
"VINTAGE" 38.901



1

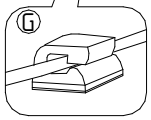
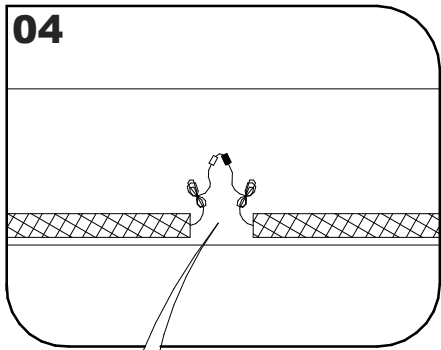


2

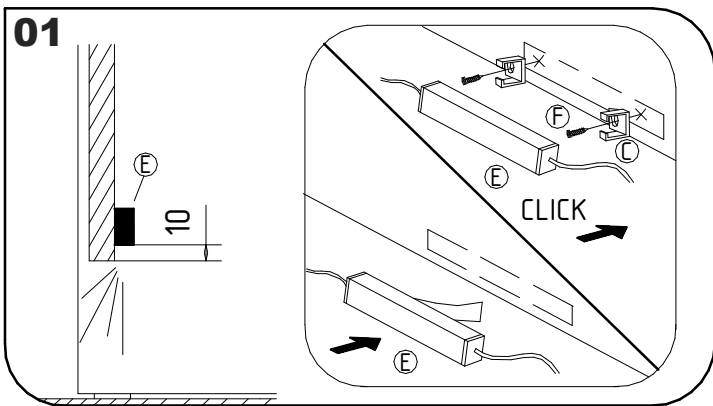


3

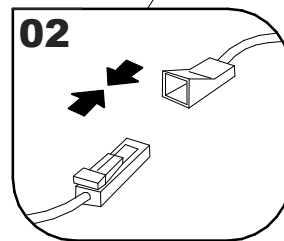
04



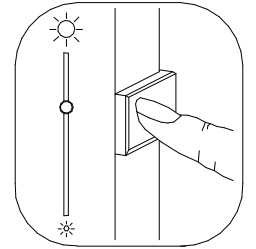
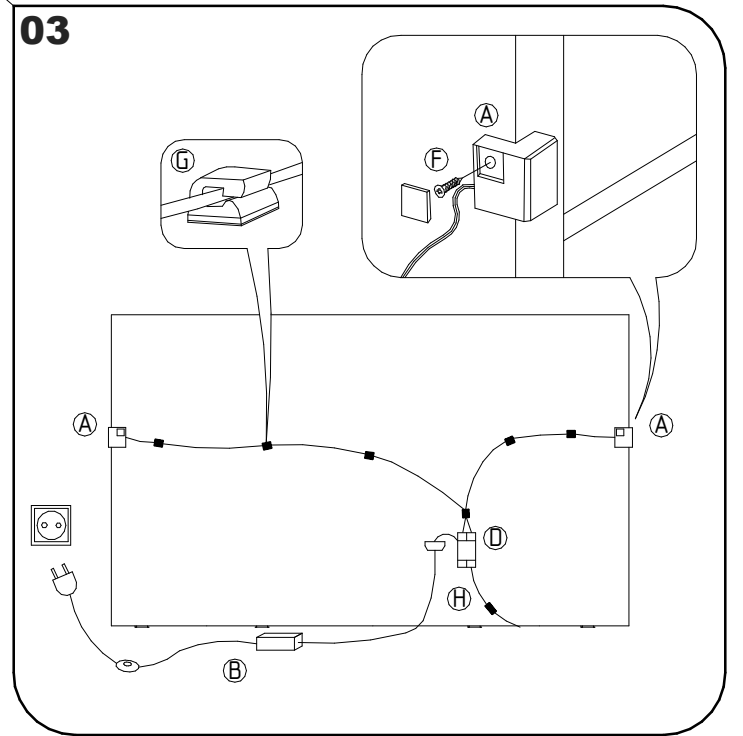
01



02

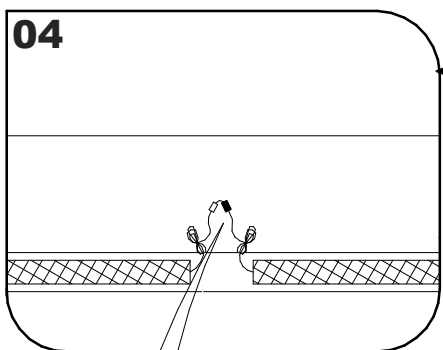


03

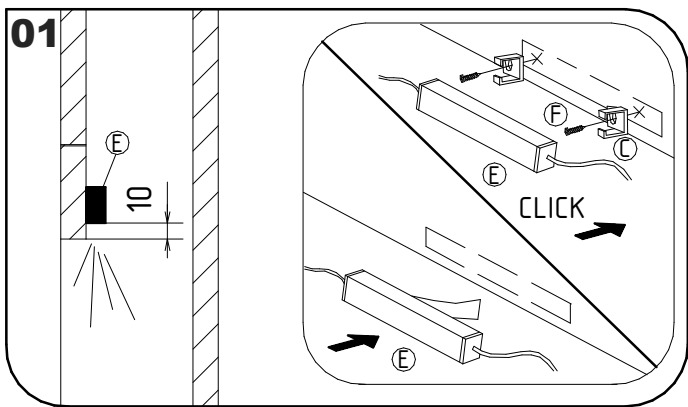


4

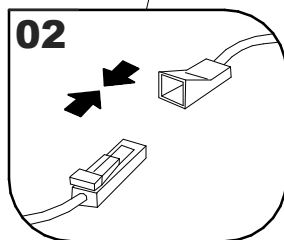
04



01



02



03

